

## YG-1 TOOLING SYSTEM

# SYNCHRO TAPPING CHUCK

- SYNCHRO GEWINDESCHNEIDFUTTER
- SYNCHRO TARAUDER
- SINCRO MANDRINI PER MASCHIATURA
- SINCRO PORTAMACHOS



### SYNCHRO TAPPING CHUCK (ER TYPE)

DIN 69871-SK

DIN 69893/ISO 12164-1-HSK

JIS B6339/MAS 403-BT

STRAIGHT-K

### SYNCHRO TAPPING CHUCK (QUICK CHANGE TYPE)

DIN 69871-SK

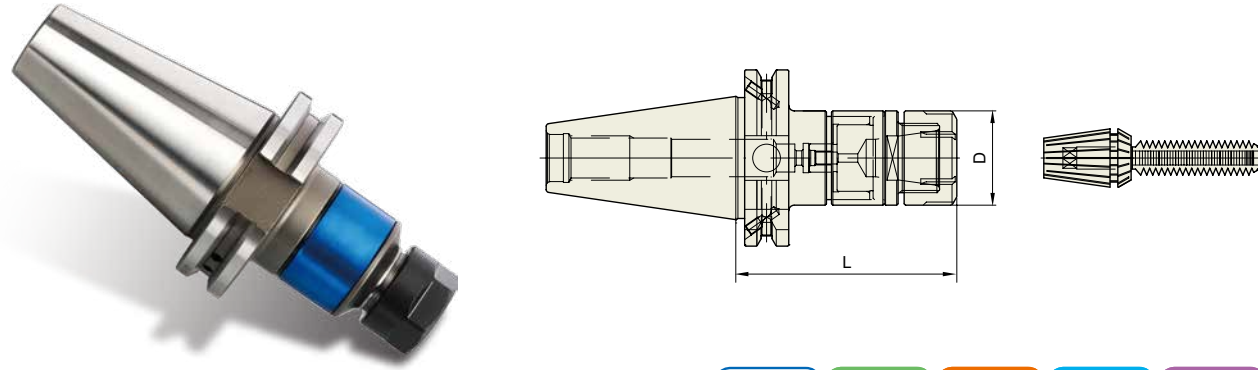
DIN 69893/ISO 12164-1-HSK

STRAIGHT-K

## SYNCHRO TAPPING CHUCK (ER TYPE)

SYTER

SYNCHRO GEWINDESCHNEIDFUTTER (ER)  
 SYNCHRO TARAUDER (ER)  
 SINCRO MANDRINI PER MASCHIATURA (ER)  
 SINCRO PORTAMACHOS (ER)



### ■ DIN 69871-SK

DIN 69871-SK	Taper Accuracy AT3	G Value -	RPM -	Coolant System AD/B
--------------	-----------------------	--------------	----------	------------------------

Unit : mm

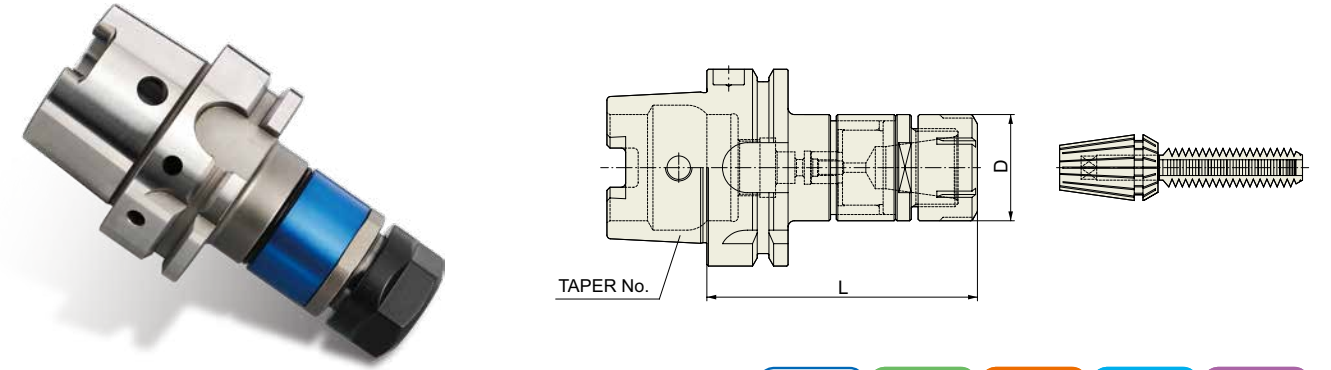
TAPER No.	MODEL No.	EDP No.	TAP SIZE	CLAMPING RANGE	NUT	D	L	WEIGHT (Kg)
40	SK40AD/B-SYTER12-79	P2773701	M2-M8	3.0 - 6.2	ER16	28	79	
	SK40AD/B-SYTER16-85	P2773702	M3-M10	4.0 - 7.0	ER20	34	85	
	SK40AD/B-SYTER20-90	P2773703	M3-M14	4.0 - 10.5	ER25	42	90	
	SK40AD/B-SYTER27-100	P2773704	M4-M18	5.0 - 14.0	ER32	50	100	
	SK40AD/B-SYTER33-120	P2773705	M8-M24	6.2 - 19.0	ER40	63	120	
50	SK50AD/B-SYTER12-79	P2773706	M2-M8	3.0 - 6.2	ER16	28	79	
	SK50AD/B-SYTER16-85	P2773707	M3-M10	4.0 - 7.0	ER20	34	85	
	SK50AD/B-SYTER20-90	P2773708	M3-M14	4.0 - 10.5	ER25	42	90	
	SK50AD/B-SYTER27-100	P2773709	M4-M18	5.0 - 14.0	ER32	50	100	
	SK50AD/B-SYTER33-105	P2773710	M8-M24	6.2 - 19.0	ER40	63	105	

- ▶ Feature :
  - To compensate for synchronization errors to extend tap life and to improve thread quality
  - To compensate for pitch tolerances of taps
  - For machine with synchronized spindle
- ▶ CAT(ANSI B5.50) taper and Inch type products are available.
- ▶ ER collet of page 95~97, and Tap ER collet of page 98~99 are applicable.

## SYNCHRO TAPPING CHUCK (ER TYPE)

SYTER

SYNCHRO GEWINDESCHNEIDFUTTER (ER)  
 SYNCHRO TARAUDER (ER)  
 SINCRO MANDRINI PER MASCHIATURA (ER)  
 SINCRO PORTAMACHOS (ER)



### ■ DIN 69893/ISO 12164-1-HSK FORM A

DIN 69893-HSK	Taper Accuracy -	G Value -	RPM -	Coolant System AD
---------------	---------------------	--------------	----------	----------------------

Unit : mm

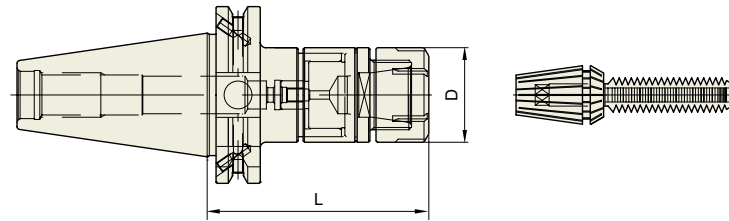
TAPER No.	MODEL No.	EDP No.	TAP SIZE	CLAMPING RANGE	NUT	D	L	WEIGHT (Kg)
63A	HSK63A-SYTER16-90	P2773801	M3-M10	4.0 - 7.0	ER20	34	90	
	HSK63A-SYTER20-94	P2773802	M3-M14	4.0 - 10.5	ER25	42	94	
	HSK63A-SYTER27-105	P2773803	M4-M18	5.0 - 14.0	ER32	50	105	

- ▶ Feature :
  - To compensate for synchronization errors to extend tap life and to improve thread quality
  - To compensate for pitch tolerances of taps
  - For machine with synchronized spindle
- ▶ ER collet of page 95~97, and Tap ER collet of page 98~99 are applicable.

## SYNCHRO TAPPING CHUCK (ER TYPE)

**SYTER**

SYNCHRO GEWINDESCHNEIDFUTTER (ER)  
 SYNCHRO TARAUDER (ER)  
 SINCRO MANDRINI PER MASCHIATURA (ER)  
 SINCRO PORTAMACHOS (ER)



JIS B6339 -BT	Taper Accuracy AT3	G Value -	RPM -	Coolant System AD/B
------------------	-----------------------	--------------	----------	------------------------

### JIS B6339/MAS 403-BT

Unit : mm

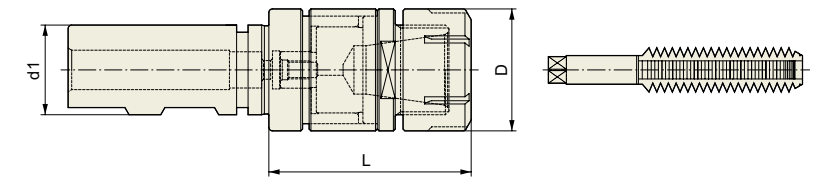
TAPER No.	MODEL No.	EDP No.	TAP SIZE	CLAMPING RANGE	NUT	D	L	WEIGHT (Kg)
40	BT40AD/B-SYTER12-79	P2776301	M2-M8	3.0 - 6.2	ER16	28	79	
	BT40AD/B-SYTER16-85	P2776302	M3-M10	4.0 - 7.0	ER20	34	85	
	BT40AD/B-SYTER20-90	P2776303	M3-M14	4.0 - 10.5	ER25	42	90	
	BT40AD/B-SYTER27-100	P2776304	M4-M18	5.0 - 14.0	ER32	50	100	
	BT40AD/B-SYTER33-125	P2776305	M8-M24	6.2 - 19.0	ER40	63	125	
50	BT50AD/B-SYTER12-100	P2776306	M2-M8	3.0 - 6.2	ER16	28	100	
	BT50AD/B-SYTER16-100	P2776307	M3-M10	4.0 - 7.0	ER20	34	100	
	BT50AD/B-SYTER20-100	P2776308	M3-M14	4.0 - 10.5	ER25	42	100	
	BT50AD/B-SYTER27-110	P2776309	M4-M18	5.0 - 14.0	ER32	50	110	
	BT50AD/B-SYTER33-125	P2776310	M8-M24	6.2 - 19.0	ER40	63	125	

- Feature :
- To compensate for synchronization errors to extend tap life and to improve thread quality
  - To compensate for pitch tolerances of taps
  - For machine with synchronized spindle
- ER collet of page 95~97, and Tap ER collet of page 98~99 are applicable.

## SYNCHRO TAPPING CHUCK (ER TYPE)

**SYTER**

SYNCHRO GEWINDESCHNEIDFUTTER (ER)  
 SYNCHRO TARAUDER (ER)  
 SINCRO MANDRINI PER MASCHIATURA (ER)  
 SINCRO PORTAMACHOS (ER)



### STRAIGHT-K

Unit : mm

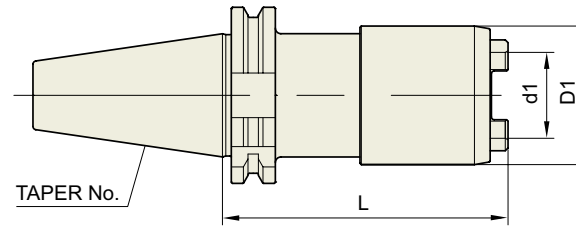
MODEL No.	EDP No.	TAP SIZE	CLAMPING RANGE	NUT / COLLET	D	L	d1	WEIGHT (Kg)
K20-SYTER16	P2773901	M3-M10	4.0 - 7.0	ER20	34	58	20	
K25-SYTER16	P2773902	M3-M10	4.0 - 7.0	ER20	34	61	25	
K25-SYTER27	P2773903	M4-M18	5.0 - 14.0	ER32	50	69	25	

- Feature :
- To compensate for synchronization errors to extend tap life and to improve thread quality
  - To compensate for pitch tolerances of taps
  - For machine with synchronized spindle
- ER collet of page 95~97, and Tap ER collet of page 98~99 are applicable.

## SYNCHRO TAPPING CHUCK (QUICK CHANGE TYPE)

**SYTC**

SYNCHRO GEWINDESCHNEID-SCHNELLWECHSELFUTTER  
 SYNCHRO TARAUDER À CHANGEMENT RAPIDE  
 SINCRO MANDRINO PER MASCHIARE  
 SINCRO PORTAMACHOS DE CAMBIO RAPIDO



DIN 69871 -SK	Taper Accuracy AT3	G Value -	RPM -	Coolant System A
---------------	-----------------------	--------------	----------	---------------------

### ■ DIN 69871-SK

Unit : mm

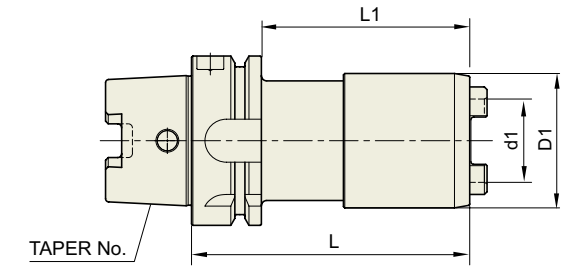
TAPER No.	MODEL No.	EDP No.	TAP SIZE	MATCHING INSERTS	d1	D1	L	WEIGHT (Kg)
30	SK30-SYTC12-65	P2774207	M3-M12	1	19	36	65	0.50
	SK30-SYTC20-89	P2774208	M6-M24	2	31	50	89	1.00
40	SK40-SYTC12-65	P2774201	M3-M12	1	19	36	65	1.10
	SK40-SYTC20-79	P2774202	M6-M24	2	31	50	79	1.50
	SK40-SYTC33-115	P2774203	M18-M38	3	48	74	115	3.30
50	SK50-SYTC12-65	P2774204	M3-M12	1	19	36	65	3.00
	SK50-SYTC20-79	P2774205	M6-M24	2	31	50	79	3.30
	SK50-SYTC33-115	P2774206	M18-M38	3	48	74	115	5.20

- **Feature :**
- To compensate for synchronization errors to extend tap life and to improve thread quality
  - To compensate for pitch tolerances of taps
  - For machine with synchronized spindle
- CAT(ANSI B5.50) taper and Inch type products are available.
- For applicable Tap Adapter, please refer to page 195~196.

## SYNCHRO TAPPING CHUCK (QUICK CHANGE TYPE)

**SYTC**

SYNCHRO GEWINDESCHNEID-SCHNELLWECHSELFUTTER  
 SYNCHRO TARAUDER À CHANGEMENT RAPIDE  
 SINCRO MANDRINO PER MASCHIARE  
 SINCRO PORTAMACHOS DE CAMBIO RAPIDO



DIN 69893 -HSK	Taper Accuracy -	G Value -	RPM -	Coolant System A
----------------	---------------------	--------------	----------	---------------------

### ■ DIN 69893/ISO 12164-1-HSK FORM A

Unit : mm

TAPER No.	MODEL No.	EDP No.	TAP SIZE	MATCHING INSERTS	d1	D1	L	L1	WEIGHT (Kg)
32A	HSK32A-SYTC12-75	P2774314	M3-M12	1	19	36	75	55	
50A	HSK50A-SYTC12-72	P2774315	M3-M12	1	19	36	72	46	
	HSK50A-SYTC20-91	P2774316	M6-M24	2	31	50	91	65	
63A	HSK63A-SYTC12-75	P2774301	M3-M12	1	19	36	75	49	
	HSK63A-SYTC12-80	P2774302	M3-M12	1	19	36	80	54	
	HSK63A-SYTC12-120	P2774303	M3-M12	1	19	36	120	94	
	HSK63A-SYTC12-152	P2774304	M3-M12	1	19	36	152	126	
	HSK63A-SYTC12-180	P2774305	M3-M12	1	19	36	180	154	
	HSK63A-SYTC20-89	P2774306	M6-M24	2	31	50	89	63	
	HSK63A-SYTC33-121	P2774307	M18-M38	3	48	74	121	95	
100A	HSK100A-SYTC12-75	P2774308	M3-M12	1	19	36	75	43	
	HSK100A-SYTC12-160	P2774309	M3-M12	1	19	36	160	131	
	HSK100A-SYTC20-94	P2774310	M6-M24	2	31	50	94	65	
	HSK100A-SYTC20-160	P2774311	M6-M24	2	31	50	160	131	
	HSK100A-SYTC33-127	P2774312	M18-M38	3	48	74	127	98	
	HSK100A-SYTC33-160	P2774313	M18-M38	3	48	74	160	131	

- **Feature :**
- To compensate for synchronization errors to extend tap life and to improve thread quality
  - To compensate for pitch tolerances of taps
  - For machine with synchronized spindle
- For applicable Tap Adapter, please refer to page 195~196.