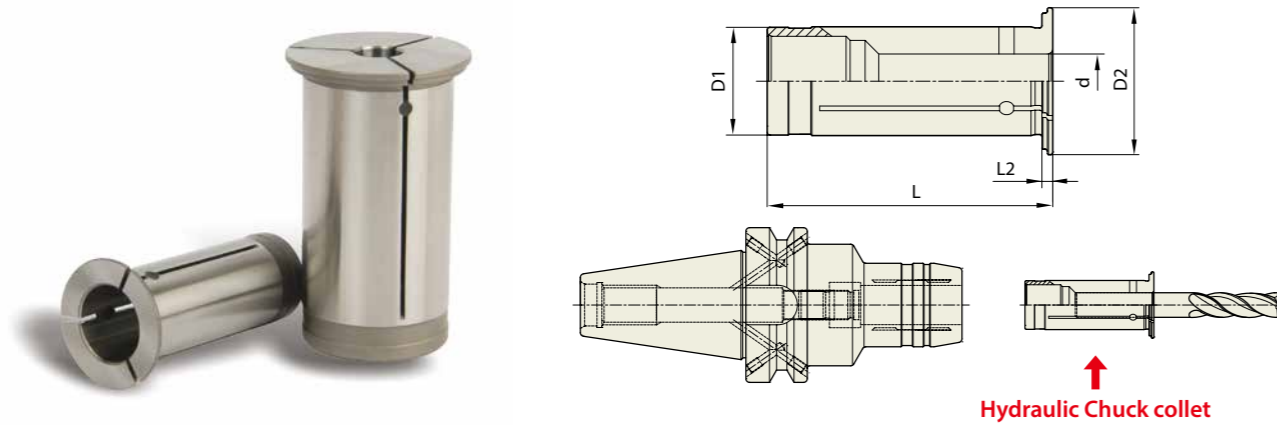


HYDRAULIC CHUCK COLLET (REDUCTION SLEEVE : OPEN TYPE)

HK

HYDRAULIK SPANNFUTTER SPANNZANGE
 MANDRIN HYDRAULIQUE PINCE DE SERRAGE
 MANDRINI IDRAULICI PINZA DI SERRAGGIO
 PORTAHERRAMIENTAS HIDRAULICO PINZA PORTAPIEZAS



Hydraulic Chuck collet

MODEL No.		EDP No.	d	D1	D2	L	L2
HK12	3	P2569022	3	12	19	47	2
	4	P2569023	4	12	19	47	2
	5	P2569024	5	12	19	47	2
	6	P2569025	6	12	19	47	2
	7	P2771001	7	12	19	47	2
	8	P2569026	8	12	19	47	2
	3	P2569001	3	20	27	52.5	2
	4	P2569002	4	20	27	52.5	2
HK20	5	P2569003	5	20	27	52.5	2
	6	P2569004	6	20	27	52.5	2
	7	P2771002	7	20	27	52.5	2
	8	P2569005	8	20	27	52.5	2
	9	P2771003	9	20	27	52.5	2
	10	P2569006	10	20	27	52.5	2
	11	P2771004	11	20	27	52.5	2
	12	P2569007	12	20	27	52.5	2
	13	P2771005	13	20	27	52.5	2
	14	P2569008	14	20	27	52.5	2
	15	P2771006	15	20	27	52.5	2
	HK32	6	P2569010	6	32	39	63.5
8		P2569011	8	32	39	63.5	3
10		P2569012	10	32	39	63.5	3
12		P2569013	12	32	39	63.5	3
14		P2569014	14	32	39	63.5	3
16		P2569015	16	32	39	63.5	3
18		P2569016	18	32	39	63.5	3
20		P2569017	20	32	39	63.5	3
	25	P2569018	25	32	39	63.5	3

▶ Inch type products are available.
 ▶ Other special sizes of Hydraulic Chuck collets could be produced and supplied.

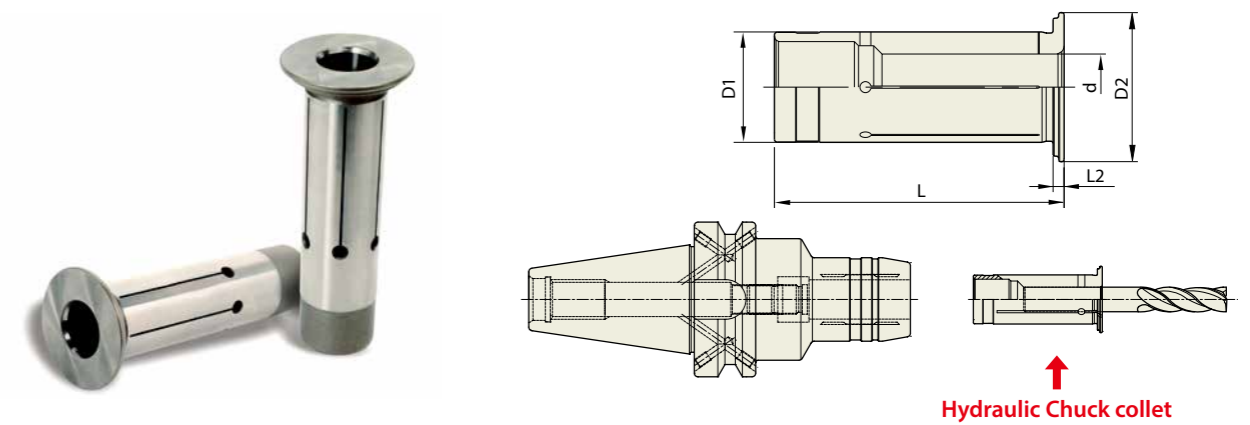
Feature HK Hydraulic Chuck collet (reduction sleeve) is cut into trisection by high precision cutting to guarantee precise I.D and strong clamping power.

Chucking Method Please assemble cutting tool with collet firstly, and then insert collet into Hydraulic Chuck.

HYDRAULIC CHUCK COLLET (REDUCTION SLEEVE : CLOSED TYPE)

HS

HYDRAULIK SPANNFUTTER SPANNZANGE
 MANDRIN HYDRAULIQUE PINCE DE SERRAGE
 MANDRINI IDRAULICI PINZA DI SERRAGGIO
 PORTAHERRAMIENTAS HIDRAULICO PINZA PORTAPIEZAS



Hydraulic Chuck collet

MODEL No.		EDP No.	d	D1	D2	L	L2
HS12	3	P2771101	3	12	19	47	2
	4	P2771102	4	12	19	47	2
	5	P2771103	5	12	19	47	2
	6	P2771104	6	12	19	47	2
	7	P2771105	7	12	19	47	2
	8	P2771106	8	12	19	47	2
	3	P2771107	3	20	27	52.5	2
	4	P2771108	4	20	27	52.5	2
HS20	5	P2771109	5	20	27	52.5	2
	6	P2771110	6	20	27	52.5	2
	7	P2771111	7	20	27	52.5	2
	8	P2771112	8	20	27	52.5	2
	9	P2771113	9	20	27	52.5	2
	10	P2771114	10	20	27	52.5	2
	11	P2771115	11	20	27	52.5	2
	12	P2771116	12	20	27	52.5	2
	13	P2771117	13	20	27	52.5	2
	14	P2771118	14	20	27	52.5	2
	15	P2771119	15	20	27	52.5	2
	HS32	6	P2771120	6	20	27	52.5
17		P2771130	17	20	27	52.5	2
6		P2771121	6	32	39	63.5	3
8		P2771122	8	32	39	63.5	3
10		P2771123	10	32	39	63.5	3
12		P2771124	12	32	39	63.5	3
14		P2771125	14	32	39	63.5	3
16		P2771126	16	32	39	63.5	3
18		P2771127	18	32	39	63.5	3
20		P2771128	20	32	39	63.5	3
25		P2771129	25	32	39	63.5	3

▶ Inch type products are available.
 ▶ Other special sizes of Hydraulic Chuck collets could be produced and supplied.

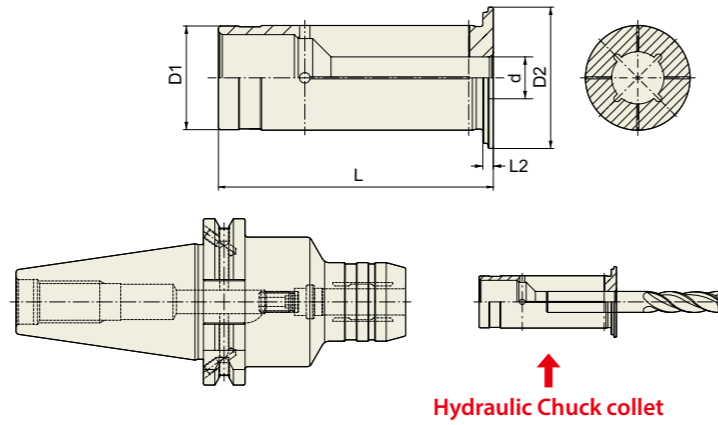
Feature HS Hydraulic Chuck collet (reduction sleeve) is cut by high precision wire-cutting to guarantee precise I.D and strong clamping power.

Chucking Method Please assemble cutting tool with collet firstly, and then insert collet into Hydraulic Chuck.

HYDRAULIC CHUCK COLLET (REDUCTION SLEEVE : COOLANT FLUSH TYPE)

HF

HYDRAULIK SPANNFUTTER SPANNZANGE
 MANDRIN HYDRAULIQUE PINCE DE SERRAGE
 MANDRINI IDRAULICI PINZA DI SERRAGGIO
 PORTAHERRAMIENTAS HIDRAULICO PINZA PORTAPIEZAS



Hydraulic Chuck collet

Unit : mm								
MODEL No.	EDP No.	d	D1	D2	L	L2		
HF12	3	P2771201	3	12	19	47	2	
	4	P2771202	4	12	19	47	2	
	5	P2771203	5	12	19	47	2	
	6	P2771204	6	12	19	47	2	
	7	P2771205	7	12	19	47	2	
	8	P2771206	8	12	19	47	2	
	HF20	3	P2771207	3	20	27	52.5	2
		4	P2771208	4	20	27	52.5	2
5		P2771209	5	20	27	52.5	2	
6		P2771210	6	20	27	52.5	2	
7		P2771211	7	20	27	52.5	2	
8		P2771212	8	20	27	52.5	2	
9		P2771213	9	20	27	52.5	2	
10		P2771214	10	20	27	52.5	2	
11		P2771215	11	20	27	52.5	2	
12		P2771216	12	20	27	52.5	2	
13		P2771217	13	20	27	52.5	2	
14		P2771218	14	20	27	52.5	2	
15		P2771219	15	20	27	52.5	2	
16		P2771220	16	20	27	52.5	2	
HF32		6	P2771221	6	32	39	63.5	3
		8	P2771222	8	32	39	63.5	3
	10	P2771223	10	32	39	63.5	3	
	12	P2771224	12	32	39	63.5	3	
	14	P2771225	14	32	39	63.5	3	
	16	P2771226	16	32	39	63.5	3	
	18	P2771227	18	32	39	63.5	3	
20	P2771228	20	32	39	63.5	3		
25	P2771229	25	32	39	63.5	3		

▶ Inch type products are available.
 ▶ Other special sizes of Hydraulic Chuck collets could be produced and supplied.

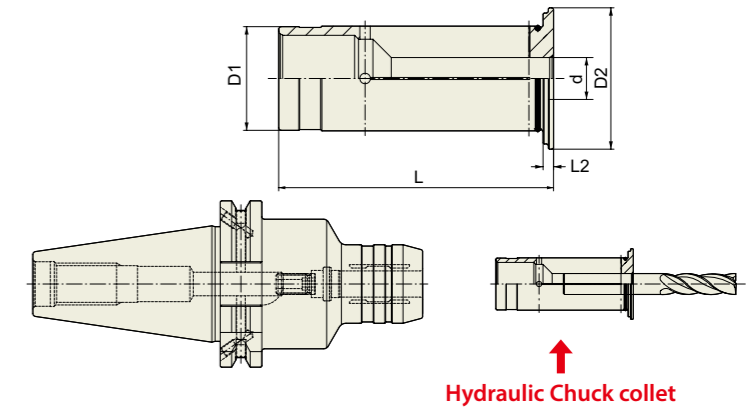
Feature HF Hydraulic Chuck collet (reduction sleeve) is for internal coolant flush.

Chucking Method Please assemble cutting tool with collet firstly, and then insert collet into Hydraulic Chuck.

HYDRAULIC CHUCK COLLET (REDUCTION SLEEVE : for HIGH PRESSURE COOLANT) **NEW**

HR

HYDRAULIK SPANNFUTTER SPANNZANGE
 MANDRIN HYDRAULIQUE PINCE DE SERRAGE
 MANDRINI IDRAULICI PINZA DI SERRAGGIO
 PORTAHERRAMIENTAS HIDRAULICO PINZA PORTAPIEZAS



Hydraulic Chuck collet

Unit : mm								
MODEL No.	EDP No.	d	D1	D2	L	L2		
HR12	3	P2777601	3	12	19	47	2	
	4	P2777602	4	12	19	47	2	
	5	P2777603	5	12	19	47	2	
	6	P2777604	6	12	19	47	2	
	7	P2777605	7	12	19	47	2	
	8	P2777606	8	12	19	47	2	
	HR20	3	P2777607	3	20	27	52.5	2
		4	P2777608	4	20	27	52.5	2
5		P2777609	5	20	27	52.5	2	
6		P2777610	6	20	27	52.5	2	
7		P2777611	7	20	27	52.5	2	
8		P2777612	8	20	27	52.5	2	
9		P2777613	9	20	27	52.5	2	
10		P2777614	10	20	27	52.5	2	
11		P2777615	11	20	27	52.5	2	
12		P2777616	12	20	27	52.5	2	
13		P2777617	13	20	27	52.5	2	
14		P2777618	14	20	27	52.5	2	
15		P2777619	15	20	27	52.5	2	
16		P2777620	16	20	27	52.5	2	
HR32		6	P2777621	6	32	39	63.5	3
		8	P2777622	8	32	39	63.5	3
	10	P2777623	10	32	39	63.5	3	
	12	P2777624	12	32	39	63.5	3	
	14	P2777625	14	32	39	63.5	3	
	16	P2777626	16	32	39	63.5	3	
	18	P2777627	18	32	39	63.5	3	
20	P2777628	20	32	39	63.5	3		
25	P2777629	25	32	39	63.5	3		

▶ Inch type products are available.
 ▶ Other special sizes of Hydraulic Chuck collets could be produced and supplied.

Feature HR Hydraulic Chuck collet (reduction sleeve) is for high pressure coolant supply.

Chucking Method Please assemble cutting tool with collet firstly, and then insert collet into Hydraulic Chuck.