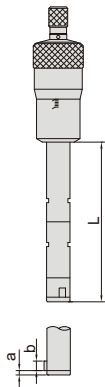


THREE POINTS INTERNAL MICROMETER



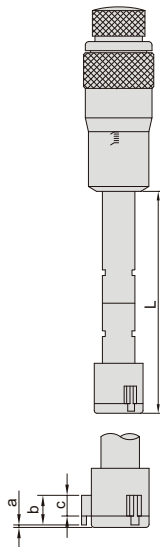
3227- 8



Type A
6-12mm, steel
measuring points



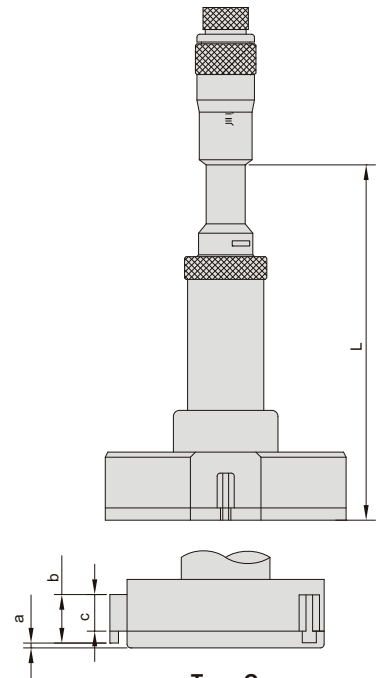
3227- 16



Type B
12-50mm, carbide
measuring points



3227- 125



Type C
50-300mm, carbide
measuring points

setting ring



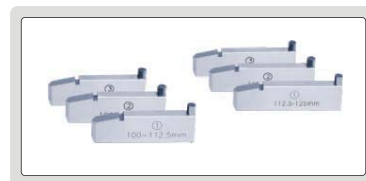
6-100mm: included
100-300mm: optional

extension rod



included

interchangeable jaws



100-300mm: have two sets of jaws for
different measuring range (For example, 3227-125
has 100-112.5mm and 112.5-125mm jaws)

To be continued

Continued from previous page

Manufacturer Inspection Certificate

←INSIZE→		Inspection Certificate	
Product name	Three Points Internal Micrometer	Standard temperature	20 °C
Code No.	3227-30	Traceable to	Germany 10339/D-K-15015-01-02/2012-09
Measuring range	25-30mm	Judgement	Passed
Graduation	0.005mm	Inspector	<i>Paulo</i>
Serial No.	0910120004		

Actual Ring Size(mm)	Permissible Error	Measured Deviation
25.0007	4	0
25.9994		1
27.9978		1
29.9992		-1

Unit: μ m

- 6-12mm: graduation 0.001mm
12-300mm: graduation 0.005mm
- Ratchet stop
- Optional accessory: setting rings (code **6312**)

Individual

(mm)

Code	Range	Type	Accuracy	Setting ring	Extension rod (included)	L	a	b	c
3227-8 *	6-8mm	A	4 μ m	Ø6mm(included)	100mm	54.5	1.5	2.5	—
3227-10 *	8-10mm	A	4 μ m	Ø8mm(included)	100mm	54.5	1.5	2.5	—
3227-12 *	10-12mm	A	4 μ m	Ø10mm(included)	100mm	54.5	1.5	2.5	—
3227-16 *	12-16mm	B	4 μ m	Ø16mm(included)	150mm	80	0.5	6	4.5
3227-20 *	16-20mm	B	4 μ m	Ø16mm(included)	150mm	80	0.5	6	4.5
3227-25 *	20-25mm	B	4 μ m	Ø25mm(included)	150mm	90	0.5	8	6
3227-30 *	25-30mm	B	4 μ m	Ø25mm(included)	150mm	90	0.5	8	6
3227-40 *	30-40mm	B	4 μ m	Ø40mm(included)	150mm	97	0.5	14	12
3227-50 *	40-50mm	B	5 μ m	Ø40mm(included)	150mm	97	0.5	14	12
3227-63 *	50-63mm	C	5 μ m	Ø62mm(included)	150mm	114	0.5	17.5	14.5
3227-75 *	62-75mm	C	5 μ m	Ø62mm(included)	150mm	114	0.5	17.5	14.5
3227-88 *	75-88mm	C	5 μ m	Ø87mm(included)	150mm	114	0.5	17.5	14.5
3227-100 *	87-100mm	C	5 μ m	Ø87mm(included)	150mm	114	0.5	17.5	14.5
3227-125 *	100-125mm	C	5 μ m	Ø112.5mm(optional)	150mm	145	0.5	19.5	14.5
3227-150 *	125-150mm	C	5 μ m	Ø137.5mm(optional)	150mm	145	0.5	19.5	14.5
3227-175 *	150-175mm	C	5 μ m	Ø162.5mm(optional)	150mm	145	0.5	19.5	14.5
3227-200 *	175-200mm	C	5 μ m	Ø187.5mm(optional)	150mm	145	0.5	19.5	14.5
3227-225	200-225mm	C	7 μ m	Ø212.5mm(optional)	150mm	145	0.5	19.5	14.5
3227-250	225-250mm	C	7 μ m	Ø237.5mm(optional)	150mm	145	0.5	19.5	14.5
3227-275	250-275mm	C	7 μ m	Ø262.5mm(optional)	150mm	145	0.5	19.5	14.5
3227-300	275-300mm	C	7 μ m	Ø287.5mm(optional)	150mm	145	0.5	19.5	14.5

Set

Code	Range	Micrometers included	Setting ring (included)	Extension rod (included)
3227-123 *	6-12mm	6-8mm, 8-10mm, 10-12mm	Ø6mm, Ø8mm, Ø10mm	100mm
3227-202 *	12-20mm	12-16mm, 16-20mm	Ø16mm	150mm
3227-504 *	20-50mm	20-25mm, 25-30mm, 30-40mm, 40-50mm	Ø25mm, Ø40mm	150mm
3227-1004 *	50-100mm	50-63mm, 62-75mm, 75-88mm, 87-100mm	Ø62mm, Ø87mm	150mm

* Supplied with manufacturer inspection certificate