



## Features

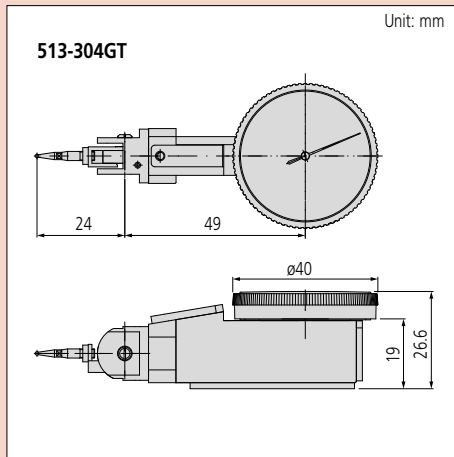
<b>Metric</b>	
Code No.	
513-304GT	✓
<b>Inch</b>	
Code No.	
513-302GT	✓

## Optional Accessories

Code No.	Description	Price
102824	Stylus, $\varnothing 1$ mm ball contact (carbide)	£5.10
102825	Stylus, $\varnothing 2$ mm ball contact (carbide)	£8.60
102826	Stylus, $\varnothing 3$ mm ball contact (carbide)	£5.10

Swivel clamps, holding bars, stems and styli refer to pages F-51 to F-53 for details.

## Dimensions

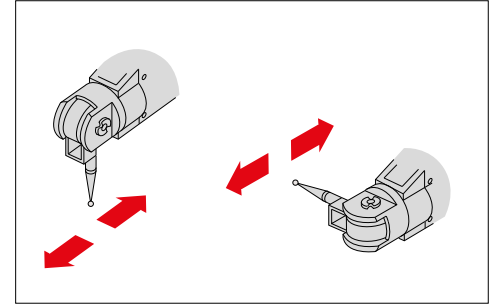


## SERIES 513 – Universal Dial Test Indicator

- Universal application to all directions. (Not only the direction of the contact point, but also the direction of measurement itself can be adjusted 360 degrees without moving the indicator.)



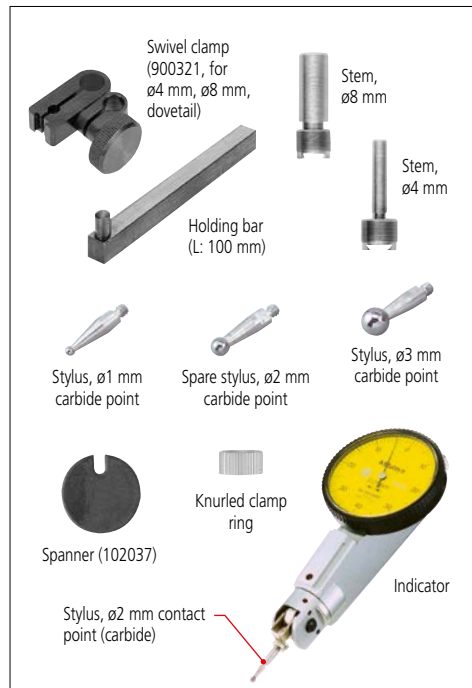
513-304GT



## Specifications

<b>Metric</b>						
Code No.	Graduation	Range	Accuracy	Scale	Measuring force	
Full set						
513-304GT	0.01 mm	0.8 mm	8 $\mu$ m	0-40-0	0.3 N or less	
<b>Inch</b>						
Code No.	Graduation	Range	Accuracy	Scale	Measuring force	
Full set						
513-302GT	.0005"	.03"	$\pm$ .0005"	0-15-0	0.3 N or less	

## Set Configuration: Metric



## Set Configuration: Inch

