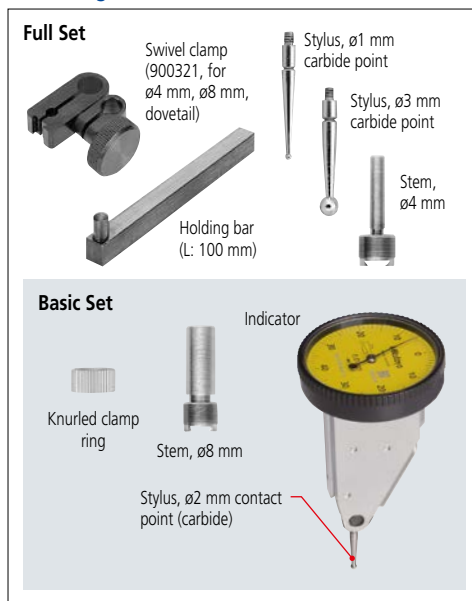
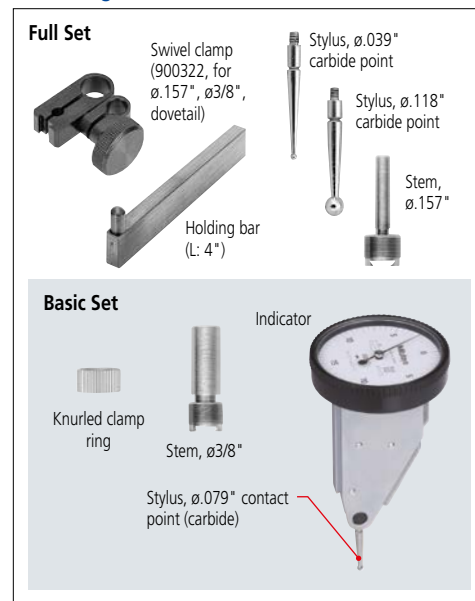


### Set Configuration: Metric



### Set Configuration: Inch



### Specifications

#### Metric

Code No.	Graduation	Range	Accuracy	Scale	Measuring force
Vertical type, basic set					
513-454-10E	0.01 mm	0.8 mm	8 $\mu$ m	0-40-0	0.3 N or less
513-455-10E	0.002 mm	0.2 mm	3 $\mu$ m	0-100-0	
Vertical type, full set					
513-454-10T	0.01 mm	0.8 mm	8 $\mu$ m	0-40-0	0.3 N or less
513-455-10T	0.002 mm	0.2 mm	3 $\mu$ m	0-100-0	
Parallel type, basic set					
513-484-10E	0.01 mm	0.8 mm	8 $\mu$ m	0-40-0	0.3 N or less
Parallel type, full set					
513-484-10T	0.01 mm	0.8 mm	8 $\mu$ m	0-40-0	0.3 N or less

#### Inch

Code No.	Graduation	Range	Accuracy	Scale	Measuring force
Vertical type, basic set					
513-452-10E	.0005"	.03"	$\pm .0005''$	0-15-0	0.3 N or less
513-453-10E	.0001"	.008"	$\pm .0001''$	0-4-0	
Vertical type, full set					
513-452-10T	.0005"	.03"	$\pm .0005''$	0-15-0	0.3 N or less
513-453-10T	.0001"	.008"	$\pm .0001''$	0-4-0	
Parallel type, full set					
513-482-10T	.0005"	.03"	$\pm .0005''$	0-15-0	0.3 N or less